

28 - 10 - 2016

**INELCO**<sup>®</sup>  
THE DISTINCTION

**modcon**<sup>®</sup>  
modular plugs





INELCO the home of unparalleled quality and service in Interconnection and Electronic Components is a European driven company, manufacturing European ideas, solutions and quality in Asia. INELCO's mission is to fulfill the requirements of their partners and customers and remains the best choice for cost-effective solutions. INELCO is the supplier of interconnection and electronic components and systems for networking, telecommunications and industrial applications. INELCO's product range includes modular (Western) plugs and jacks (modcon<sup>®</sup>), with and without integrated transformers (intrajack<sup>®</sup>), shielded and unshielded as well as terminals (voice services<sup>®</sup>), SFPs (compu-shield<sup>®</sup>), M12 (circon<sup>®</sup>), discrete components (discom<sup>®</sup> transformers, coils and inductors), USBs and other additional products and services.



# Contents

---

Specification	01
Assembly Tooling	01
Part Numbers	02
Hoods	02
4P Plugs Unshielded	03
6P Plugs Unshielded	03
8P Plugs Unshielded	05
10P Plugs Unshielded	06
UK Plugs Unshielded	06
CAT5e und CAT6 Plugs Shielded and Unshielded	07
8P Plugs Shielded	08
10P Plugs Shielded	08



### Specification

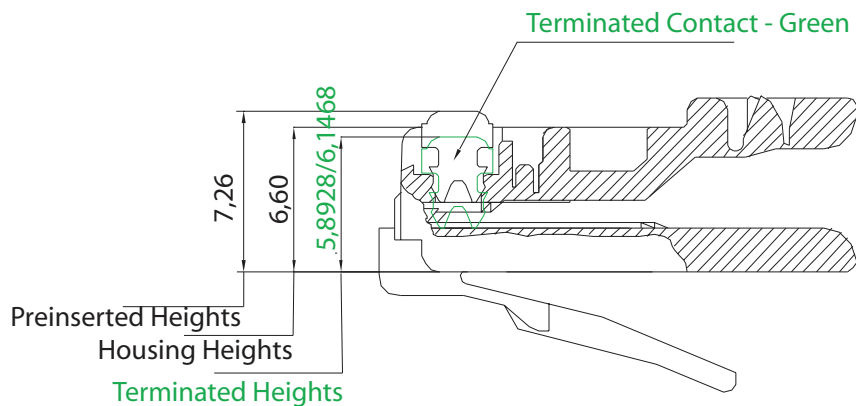


Insulation Resistance	1,000 MΩ
Contact Resistance	10 mΩ
Current/ Voltage	30 V AC/ 42 V DC at 1,5A
Withstanding Voltage	1,000 V AC/ min
Durability	500 ... 2,500 Mating Cycles
Selective Gold Plating	3 μ", 6 μ", 15 μ", 30 μ", 50 μ"
Contact Material	Phosphor Bronze with Gold Plating on Nickel
Housing Material	Polycarbonate UL 94 V-0/ V-2
Operation Temperature	-40°C to +70°C
Modular Plug Conforming to ANSI/ TIA-1096-A	

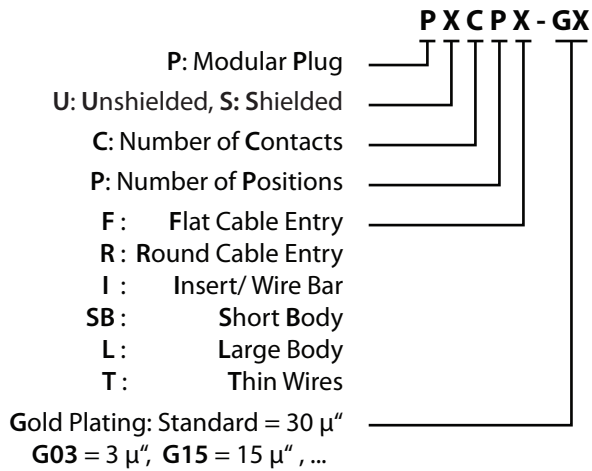
### Tooling for Assembly



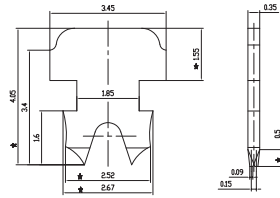
### FCC68.5 Crimp Heights



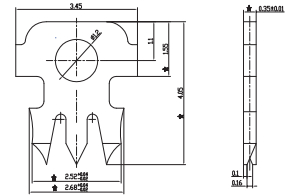
**Part Numbers**



standard contact  
for stranded wires

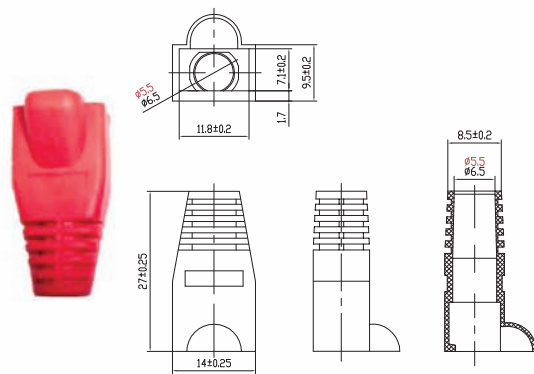


option: contact  
for solid wires

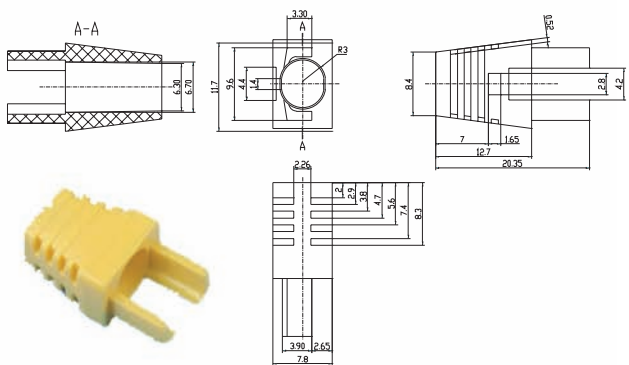
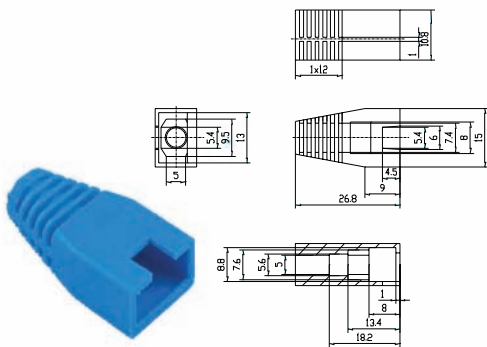


hole inside at high speed versions

**PHOOD15(6)-COLOR (5: Ø=max 5.5 mm and 6: Ø=max 6.5 mm)**



**PHOOD2 PHOOD3**

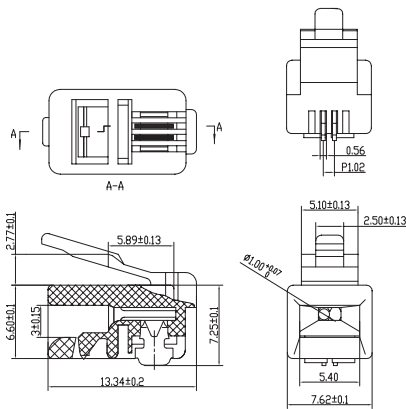


**Colorized Plugs**

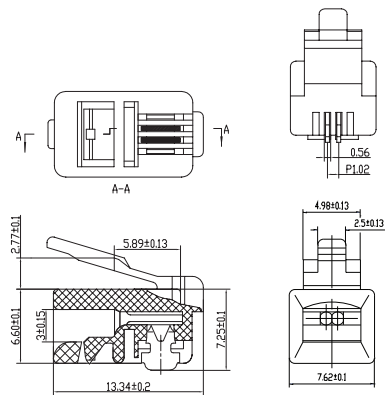


### 4 Positions Unshielded Plugs

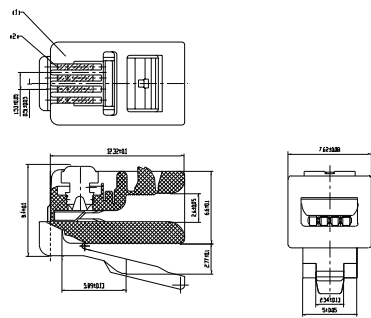
PU24F



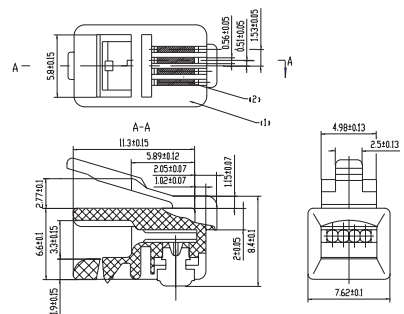
PU24R



PU44F

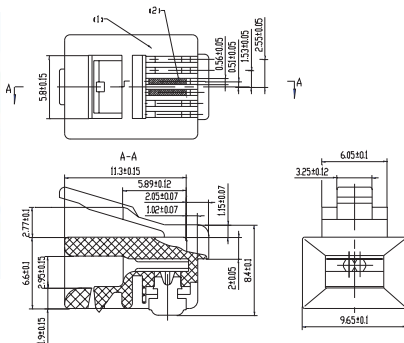


PU44R

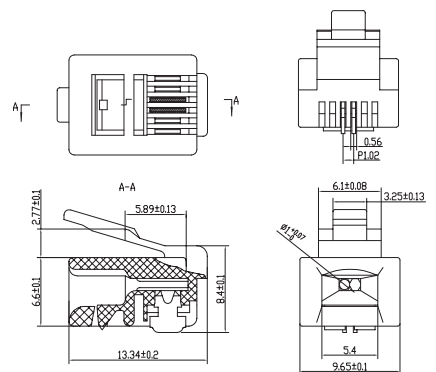


### 6 Positions Unshielded Plugs

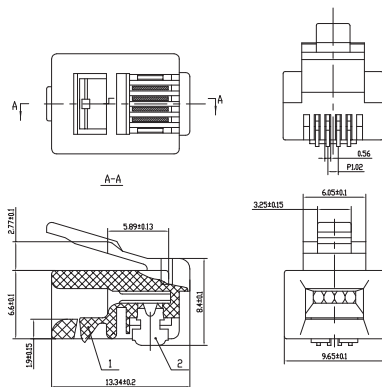
PU26F



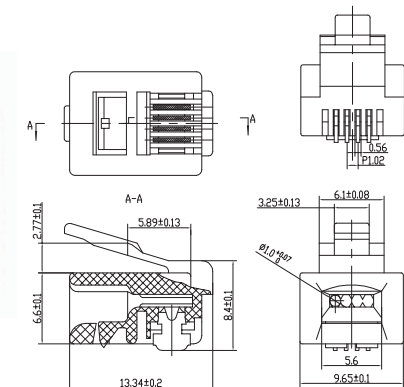
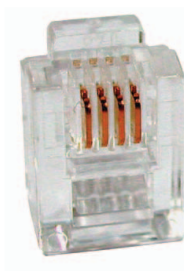
PU26R



PU46F



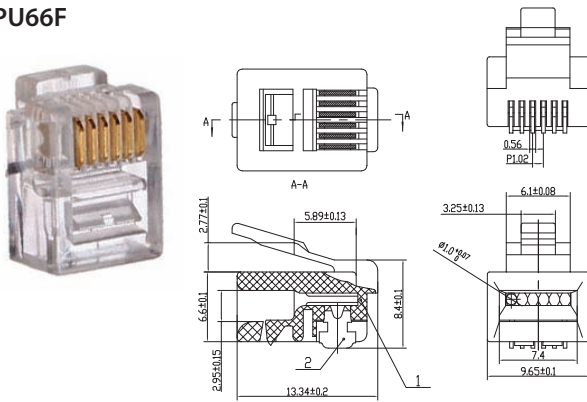
PU46R



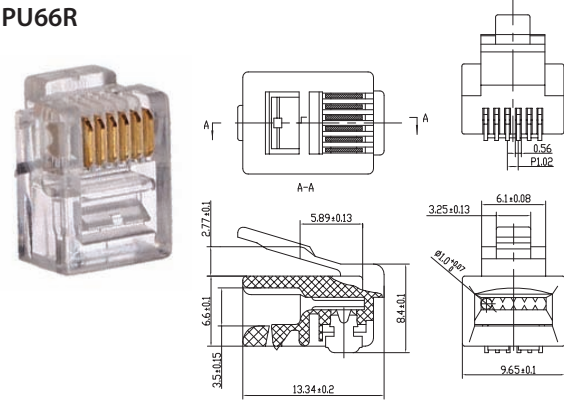
modcon<sup>®</sup> - modular plugs

6 Positions Unshielded Plugs

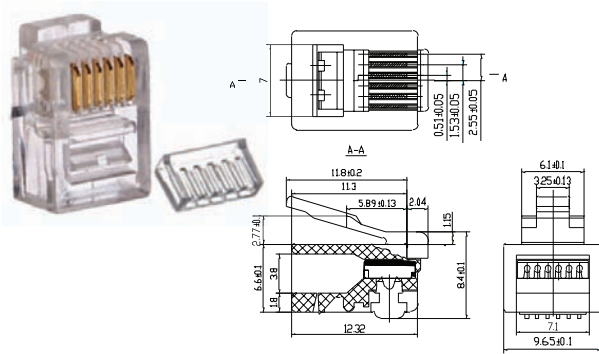
PU66F



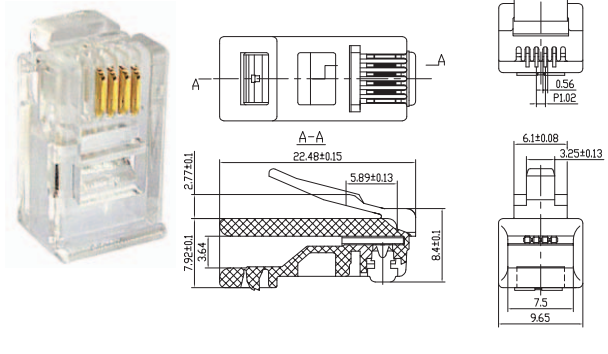
PU66R



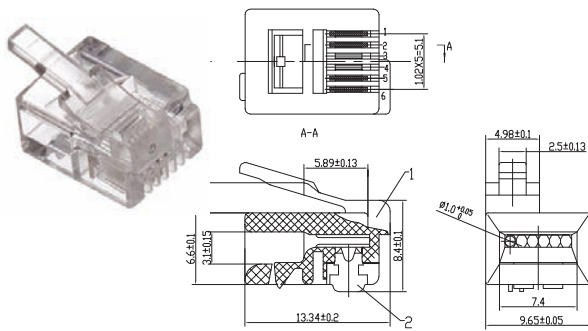
PU66I



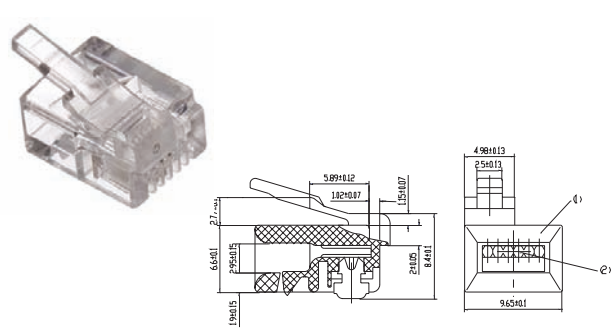
PU46L1



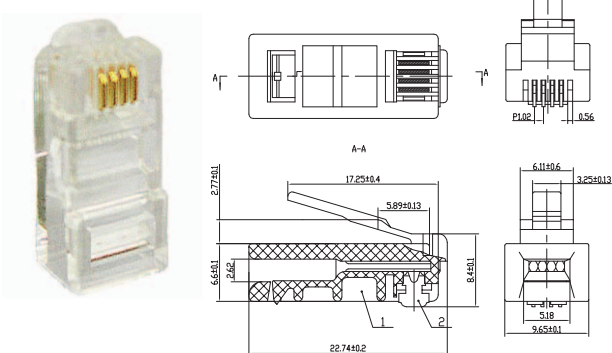
PU46DEC



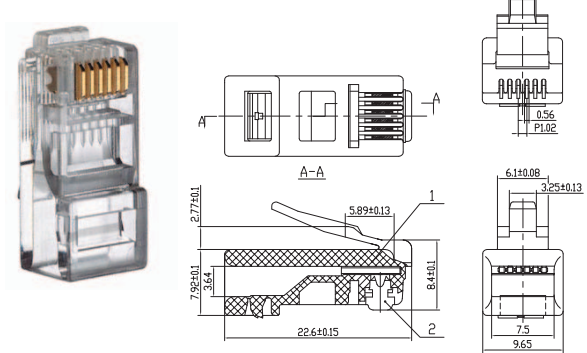
PU66DEC



PU46XL

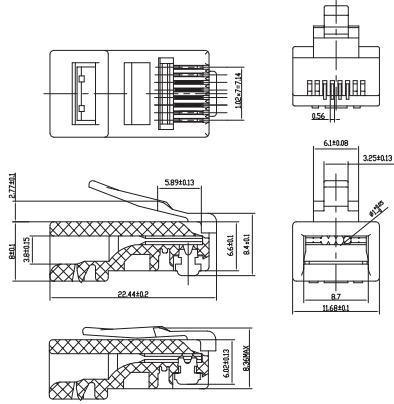


PU66XL

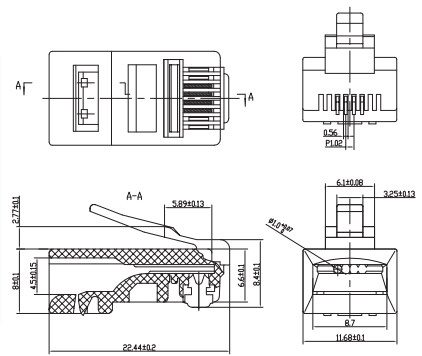


### 8 Positions Unshielded Plugs

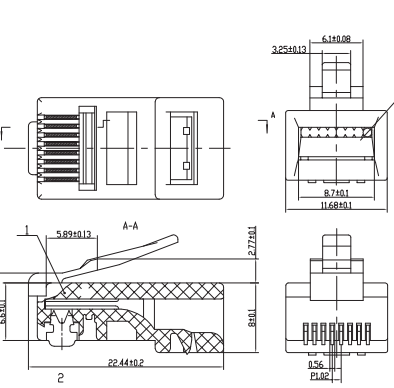
PU48F



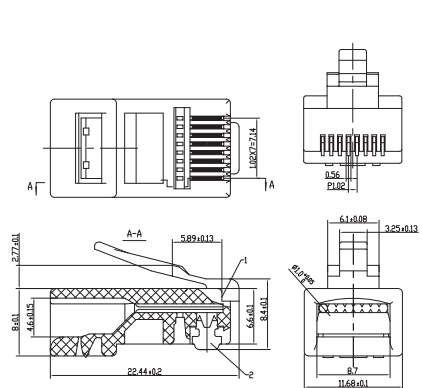
PU48R



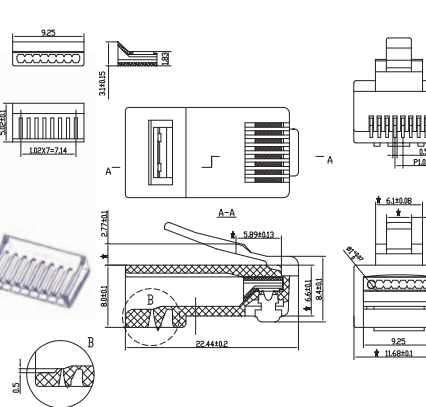
PU88F



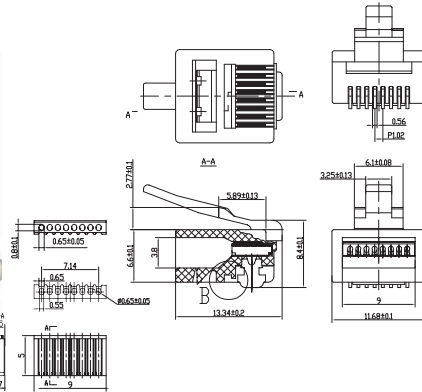
PU88R



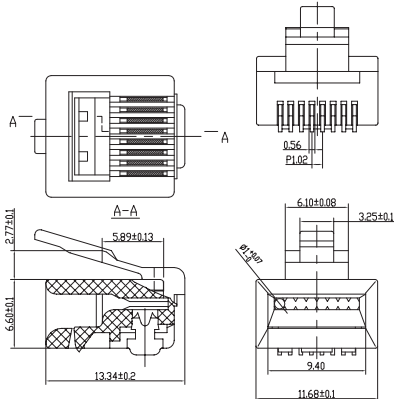
PU88I



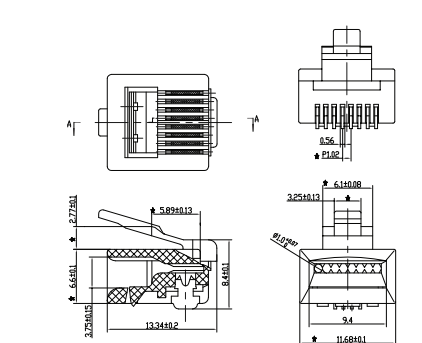
PU88SBI



PU88SBF



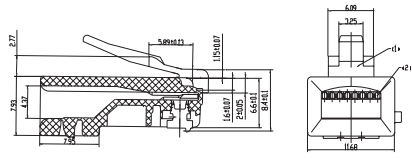
PU88SBR





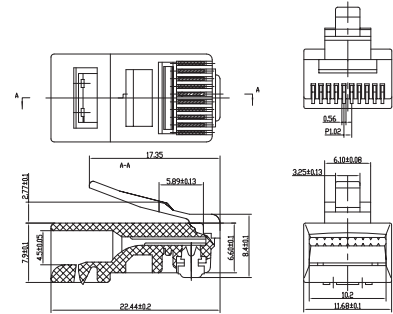
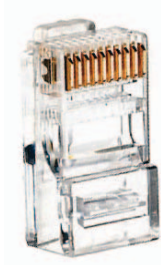
**8 Positions Unshielded Plugs**

**PU88K1**



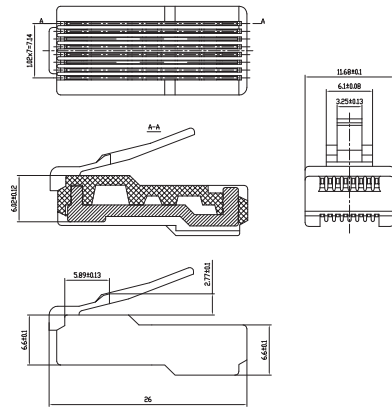
**10 Positions Unshielded Plugs**

**PU00R**

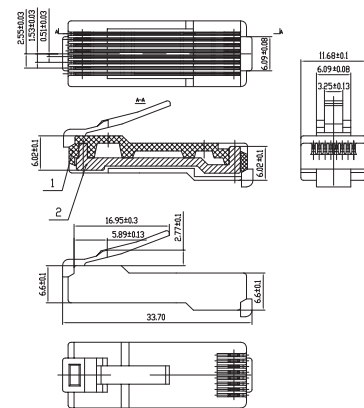


**Special Unshielded Plugs**

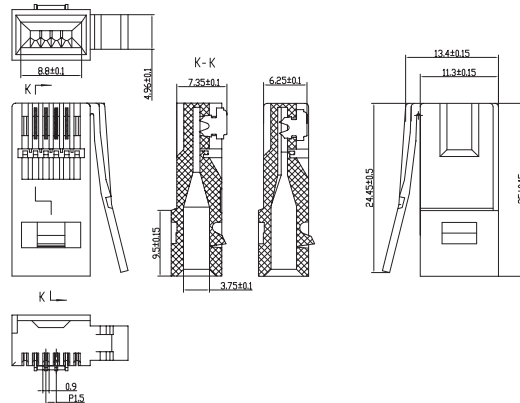
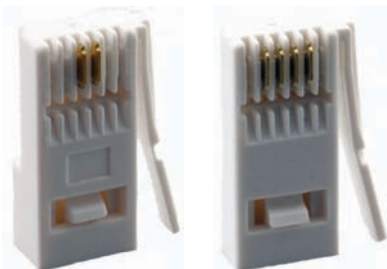
**PUCON88S**



**PUCON88L**

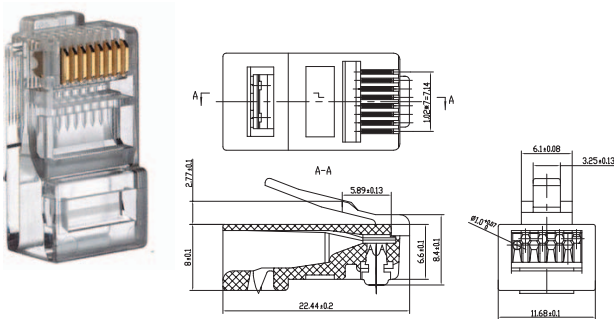


**PUX6UK**

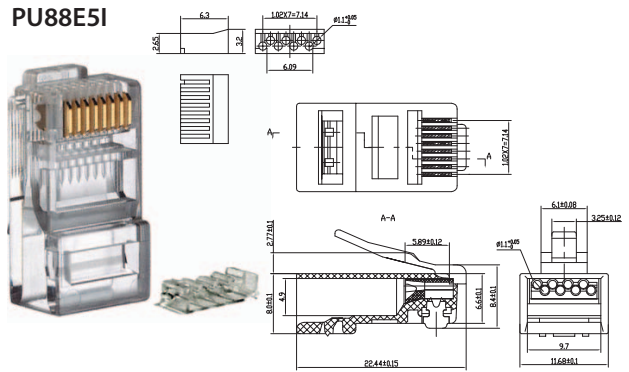


### Shielded and Unshielded CAT5e Plugs

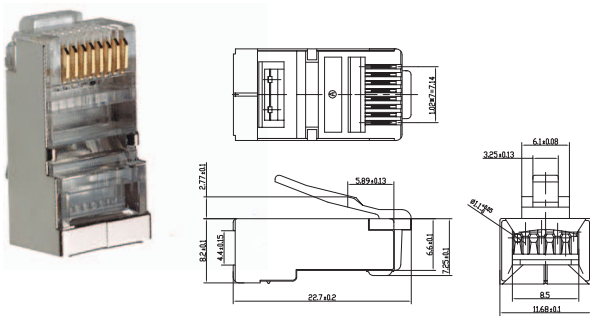
PU88E5



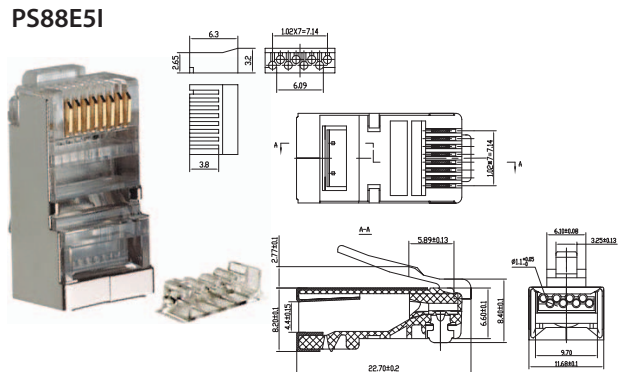
PU88E5I



PS88E5

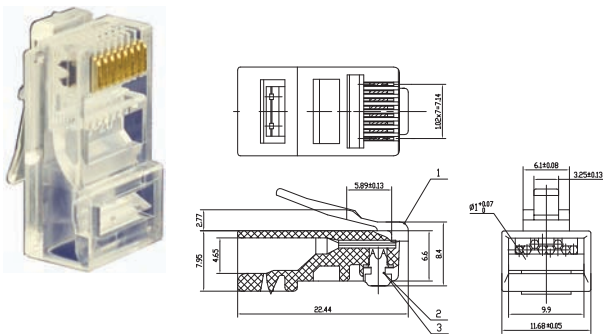


PS88E5I

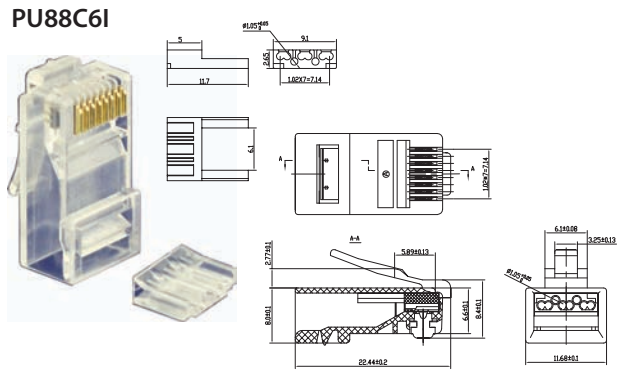


### Shielded and Unshielded CAT6 Plugs

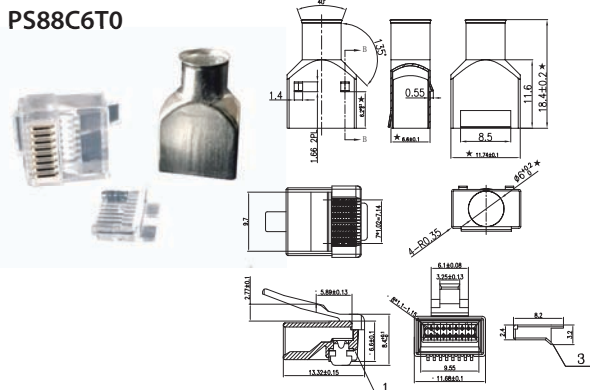
PU88C6



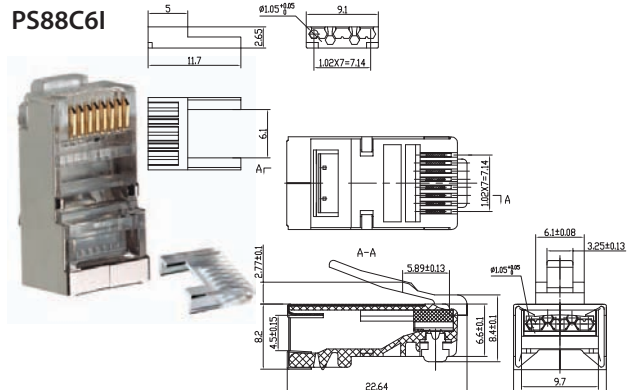
PU88C6I



PS88C6T0

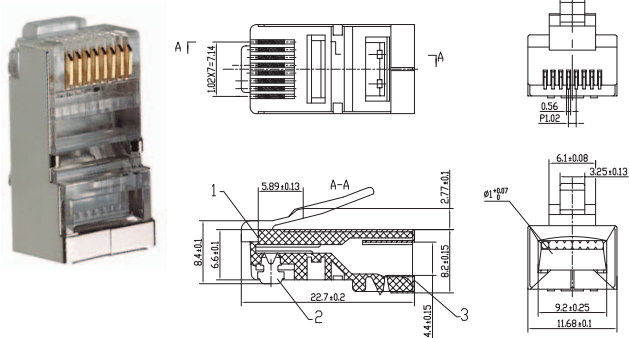


PS88C6I

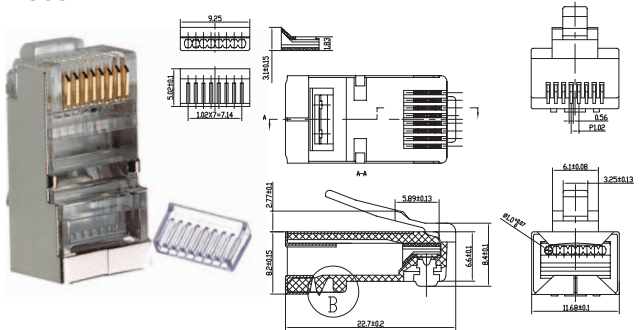


**8 Positions Shielded Plugs**

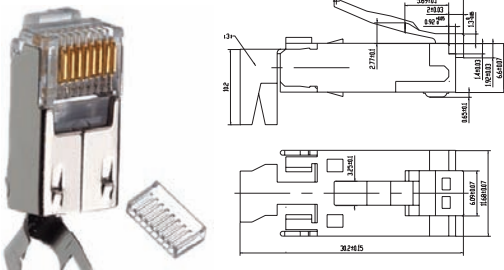
**PS88R**



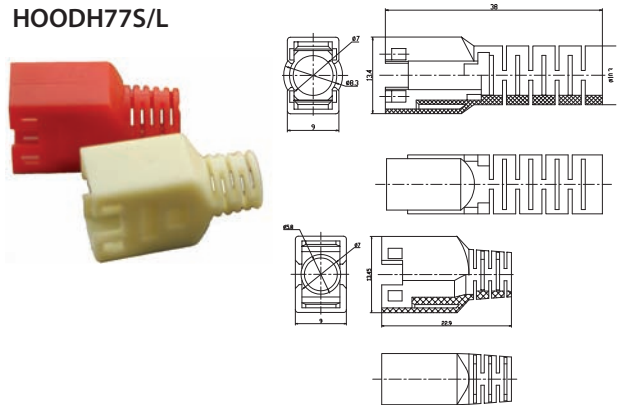
**PS88I**



**PS88H77**



**HOODH77S/L**



**10 Positions Shielded Plugs**

**PS00R**

